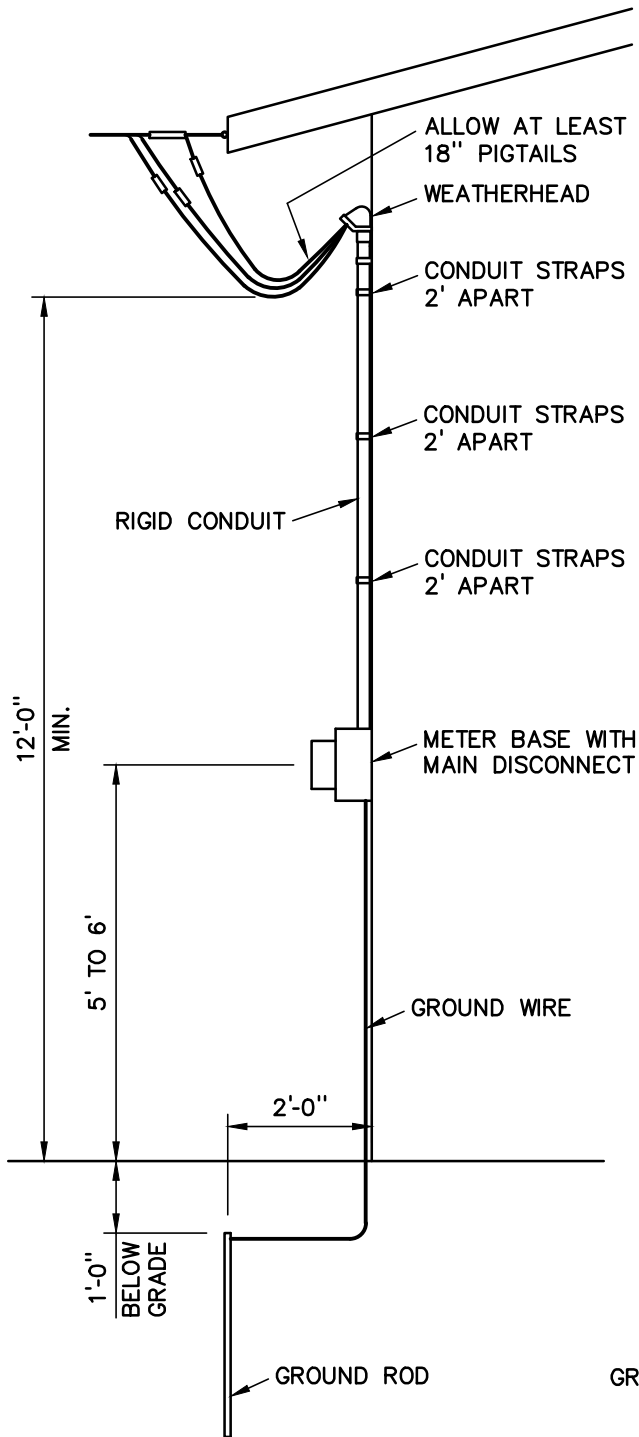
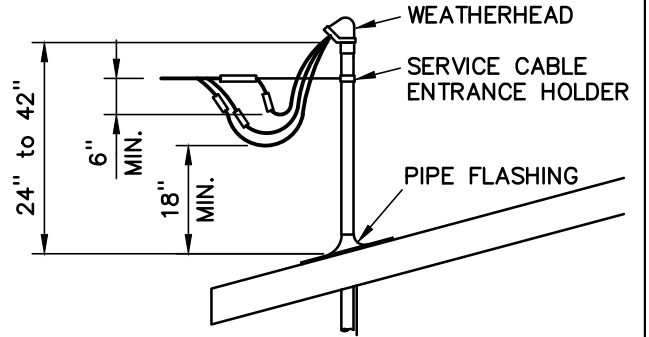


STANDARD INSTALLATION

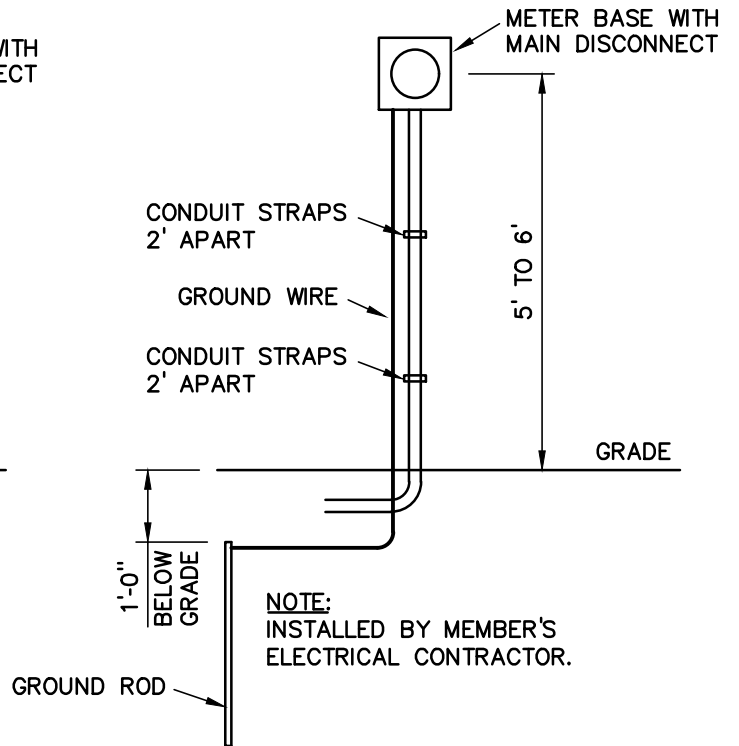


ADDITIONAL CLEARANCE REQUIREMENTS IF THRU ROOF



NOTE:
MUST MEET ALL STANDARD INSTALLATION CLEARANCES AND NOTES AS WELL.

UNDERGROUND METER LOOP ON STRUCTURE



NOTE:
INSTALLED BY MEMBER'S ELECTRICAL CONTRACTOR.

**METER LOOP
INSTALLATION ON BUILDING**



New-Mac Electric Cooperative

Your Touchstone Energy Partner

DRAWN BY GC

CHECKED BY TLD

APPROVED BY TLD

DATE: 2-25-22

SCALE: NONE

NO. : 1

Overhead Meter Loop Specs

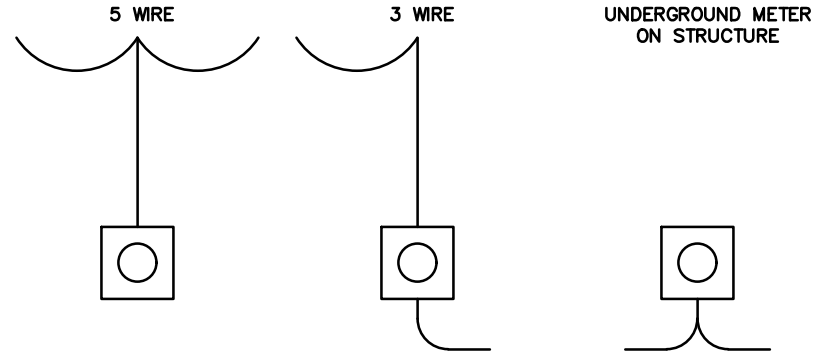
Loop Size\Type ¹	100 Amp - 3 Wire	100 Amp - 5 Wire	200 Amp - 3 Wire	200 Amp - 5 Wire	400 Amp - 3 Wire
15' Metal Conduit (No Plastic)	1 1/4"	1 1/2"	2"	2 1/2"	2 1/2"
Hub					
Conduit Straps					
Weatherhead					
Copper Wire (No Aluminum)	(2) 20' runs of #3 CU	(4) 20' runs of #3 CU	(2) 20' runs of 3/0 CU	(4) 20' runs of 3/0 CU	(4) 20' runs of 3/0 CU
Neutral Copper Wire (No Aluminum)	(1) 20' run of #6 CU	(1) 20' run of #6 CU	(1) 20' run of 1/0 CU	(1) 20' run of 1/0 CU	(1) 20' run of 3/0 CU
Ground Copper Wire (No Aluminum)	2' of bare #6 CU	2' of bare #6 CU	2' of bare #6 CU	2' of bare #6 CU	2' of bare #4 CU

¹ Must have main breaker

Underground Meter Loop Specs

Loop Size\Type ²	200 Amp	400 Amp
Plastic Conduit	One run of 2"	Two runs of 2"
Conduit Sweep		
Conduit Straps		
Ground Copper Wire (No Aluminum)	2' of bare #6 CU	2' of bare #4 CU

² Must have main breaker if more than 3 feet from breaker panel



NOTE:

AFTER YOU HAVE COMPLETED THE ASSEMBLY OF YOUR METER LOOP CALL NEW-MAC ENGINEERING DEPT. FOR INSPECTION. PLEASE DO NOT ATTEMPT TO INSTALL YOUR METER LOOP ON THE POLE. NEW-MAC WILL INSTALL LOOP AT NO CHARGE.

**ANY QUESTIONS SHOULD BE DIRECTED TO THE ENGINEERING DEPARTMENT AT NEW-MAC ELECTRIC.
(417) 451-1515 OR 1-800-322-3849**

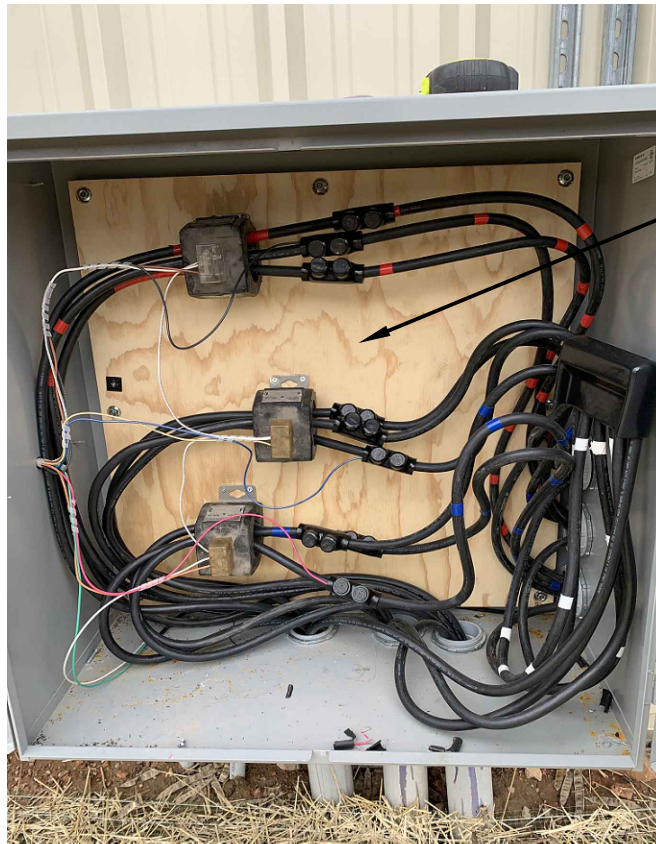
NOTE:

METER LOOPS THAT DO NOT MEET OUR SPECIFICATIONS WILL NOT BE INSTALLED.
ALL METER LOOPS WILL HAVE TO BE INSPECTED, BEFORE THEY WILL BE INSTALLED.

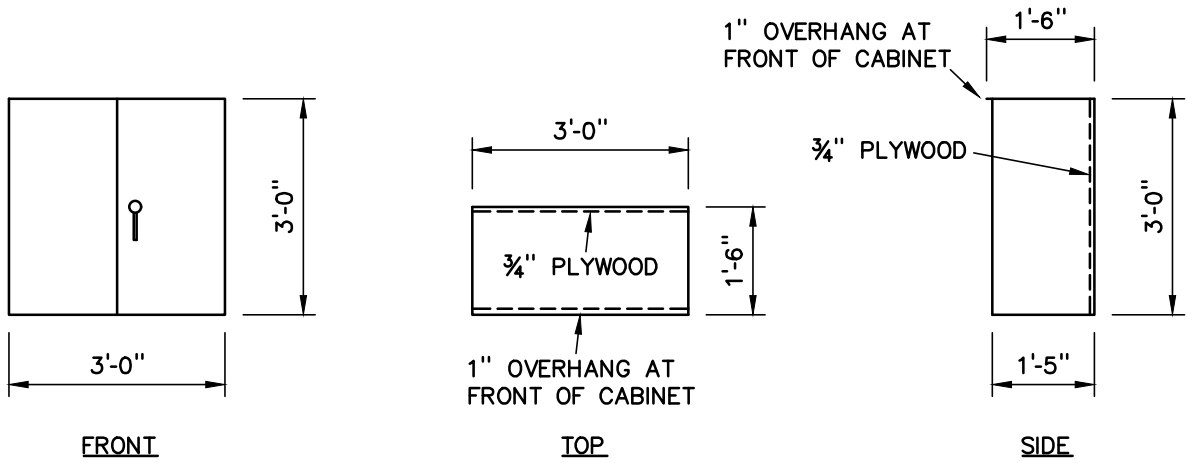


METER LOOP SPECIFICATIONS

DRAWN BY <u>GC</u>	DATE: <u>3-2-22</u>
CHECKED BY <u>TLD</u>	SCALE: <u>NO SCALE</u>
APPROVED BY <u>TLD</u>	NO. : <u>2</u>



3/4" PLYWOOD FOR MOUNTING EQUIPMENT.



CT CABINET

CT CABINET



New-Mac Electric Cooperative
Your Touchstone Energy Partner

DRAWN BY GC
CHECKED BY TLD
APPROVED BY TLD

DATE: 2-25-22
SCALE: NONE
NO. : 3